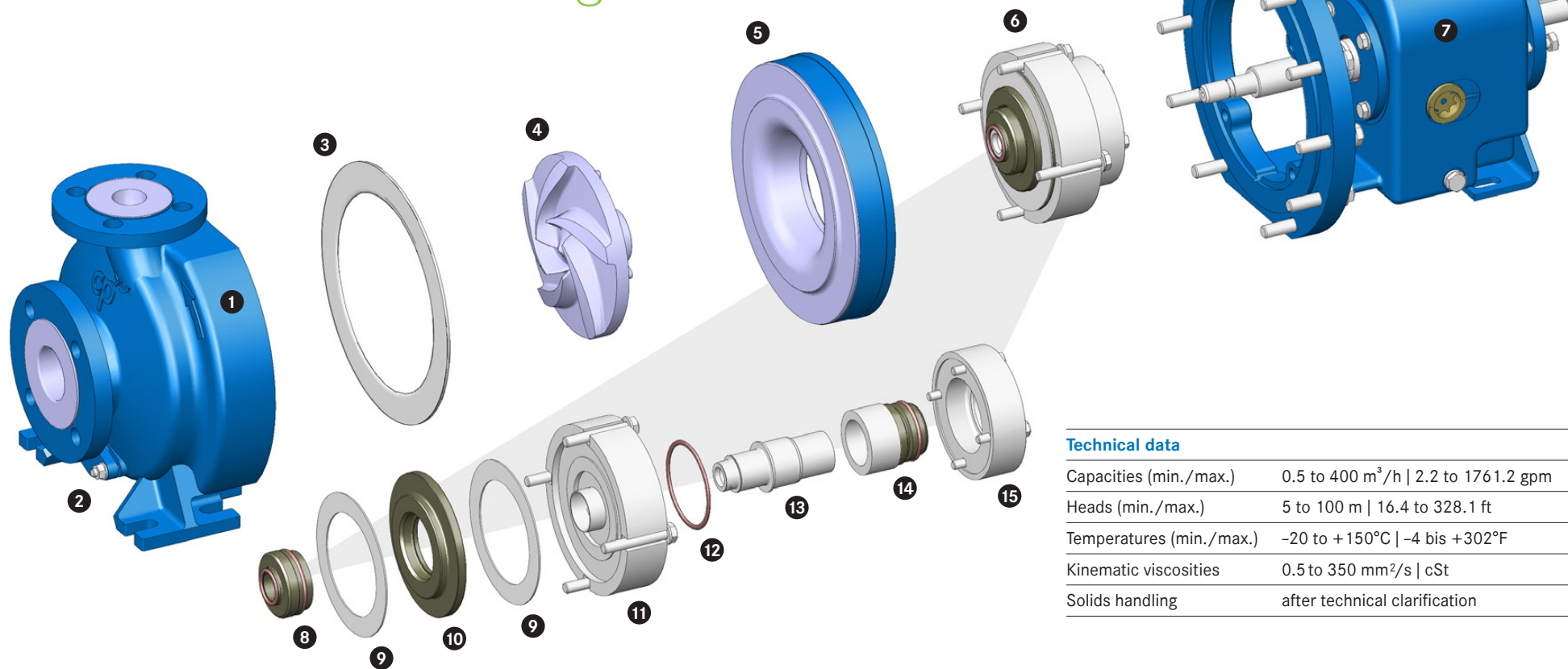


EB – PFA Lined Double Mechanical Seal Chemical Process Pump Efficient – Non-Corroding – Safe



- 1 Pump casing with PFA lining
- 2 Casing drain
- 3 Casing seal
- 4 Impeller
- 5 PFA lined casing cover

- 6 FuturaTef® double mechanical seal
- 7 Bearing pedestal with pump shaft
- 8 Seal ring incl. O-rings (on product side)
- 9 Flat gasket
- 10 Insert ring

- 11 Seal Cover
- 12 O-ring
- 13 Shaft sleeve
- 14 Retainer with seal ring incl. O-rings (on atmospheric side)
- 15 Shaft seal housing

Technical data

Capacities (min./max.)	0.5 to 400 m ³ /h 2.2 to 1761.2 gpm
Heads (min./max.)	5 to 100 m 16.4 to 328.1 ft
Temperatures (min./max.)	-20 to +150°C -4 bis +302°F
Kinematic viscosities	0.5 to 350 mm ² /s cSt
Solids handling	after technical clarification