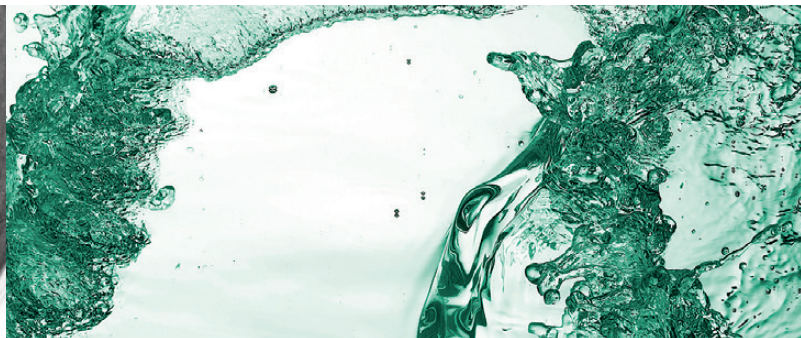


# MKTP

## Stainless Steel Magnetic Drive Chemical Process Sump Pump



The sealless MKTP magnetic drive pump is ideal to meet the stringent requirements of chemical processing and a multitude of other industries. This highly advanced and extremely energy efficient pump is built to handle a huge variety of fluids reliably and absolutely safely.

Using an inverted drive configuration, the MKTP requires no plain bearing carrier. The pumped fluid provides optimum lubrication and cooling of the single, centrally located impeller bearing assembly, also allowing solids-laden and low-boiling liquids to be pumped. Depending on the pumped medium, it can handle fluids containing solids in concentrations up to 30% with a particle size up to 1 mm.

The pump impeller rotates stably about a stationary axis on the gyroscopic principle, maintaining a perfect hydraulic balance. This minimises bearing loads, increasing the reliability of pump operation.

Designed for efficient emptying of tanks that have no bottom drain, the MKTP pumps corrosive media completely safely, ensuring that no fluid or vapours can leak out. It is available with a column length up to 4 m.

Compact in design with virtually no dead areas, the pump is constructed with just a few, robust components. An intelligent modular system facilitates assembly and keeps the costs of spare parts, maintenance and servicing to a minimum. A wide array of options is also available.

---

### Configurations

Bearing-frame

---

### Mounts

- Vertical submersible pump

---

### Casing materials

- Stainless steel 1.4581 (316Nb)  
- Stainless steel (e.g. 1.4306, Uranus® B6)

---

### Pump protection

- Containment shell temperature monitoring  
- Pt100 temperature probe  
- Engine load sensor

---

### Industries, processes and fluids

Learn more about typical applications:





### Technical data

Capacities (min./max.)	0.25 to 250 m <sup>3</sup> /h   1.10 to 1100.73 gpm
Heads (min./max.)	3 to 100 m, column length up to 4 m   9.84 to 328.8 ft, column length up to 13.12 ft
Temperatures (min./max.)	-20 to +170°C   -4 to +338°F
Kinematic viscosities	0.5 to 350 mm <sup>2</sup> /s   cSt
Solids handling	up to 30% solids concentration and 1 mm particle size, depending on the pumped fluid

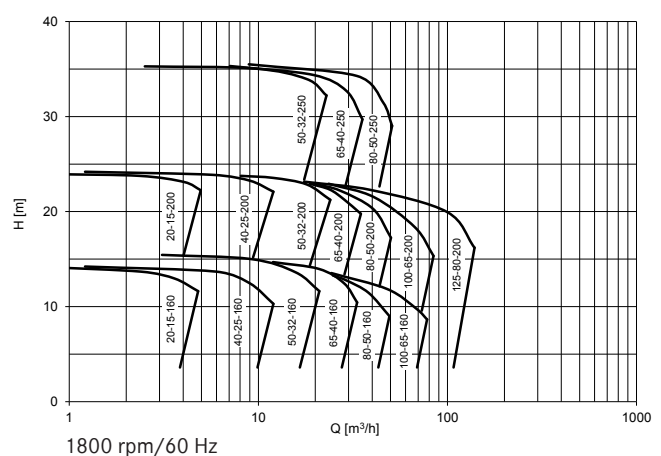
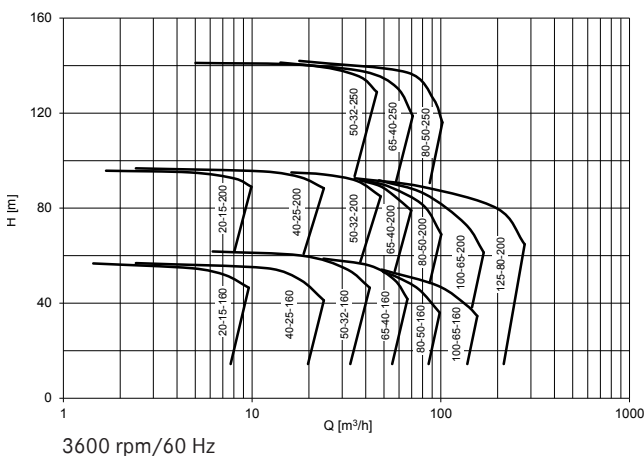
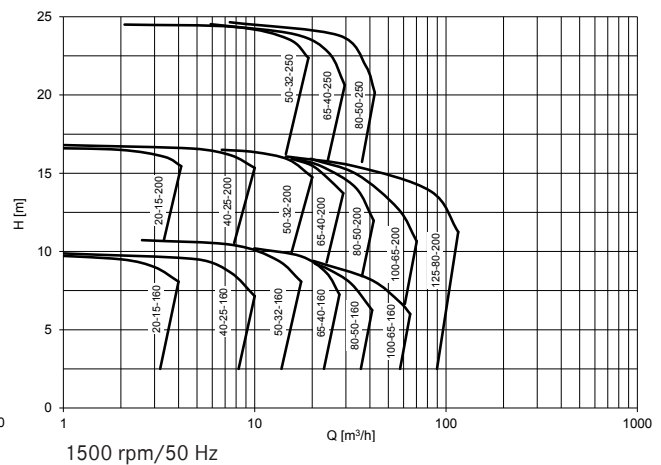
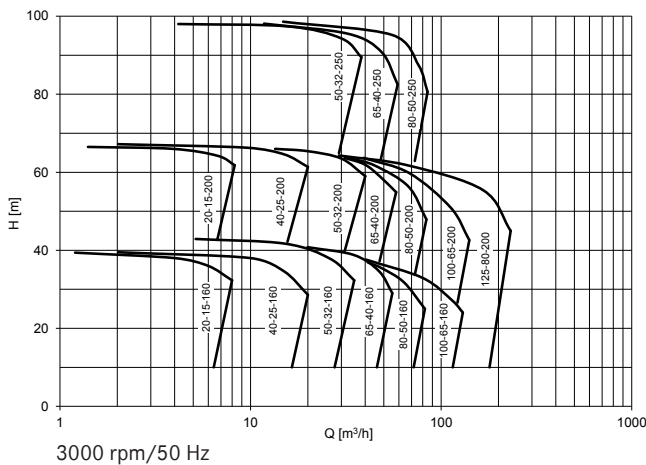
### Directives and standards

EC Machinery Directive

EC ATEX Directive

DIN EN ISO 5199

DIN EN ISO 15783



Find your local CP distributor on [www.cp-pumps.com](http://www.cp-pumps.com) or contact CP directly:  
+41 62 746 85 85/info@cp-pumps.com

